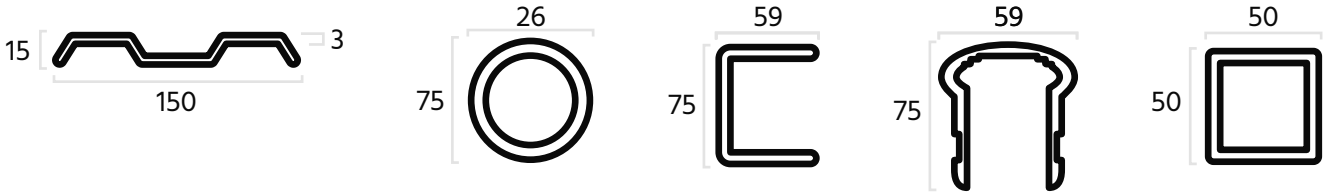




# HANDRAIL SYSTEM TRIGLASS®

**TRIGLASS® HANDRAIL SYSTEM** profiles, reinforced with fibreglass and/or carbon, represent one of the pultruded profiles made by Top Glass. Available from stock fibreglass handrails, unlike those built with other materials, are **lightweight, easy to install** and do **not require painting and maintenance**.

They are primarily used in: petrochemical system structures; off-shore structures; desalination systems; industrial cooling towers; stations and electric cabins; water and waste treatment systems; railways systems; and naval and telecommunication settings.



Nominal dimension: mm

<b>HANDRAIL</b>	<b>59 x 75</b>
<b>SQUARE TUBE</b>	<b>50 x 50 x 5</b>
<b>C SECTION</b>	<b>60 x 60 x 5</b>
<b>TUBE</b>	<b>26 x 19</b>
<b>SKIRTING</b>	<b>150 x 15 x 3</b>

Nominal dimension: mm

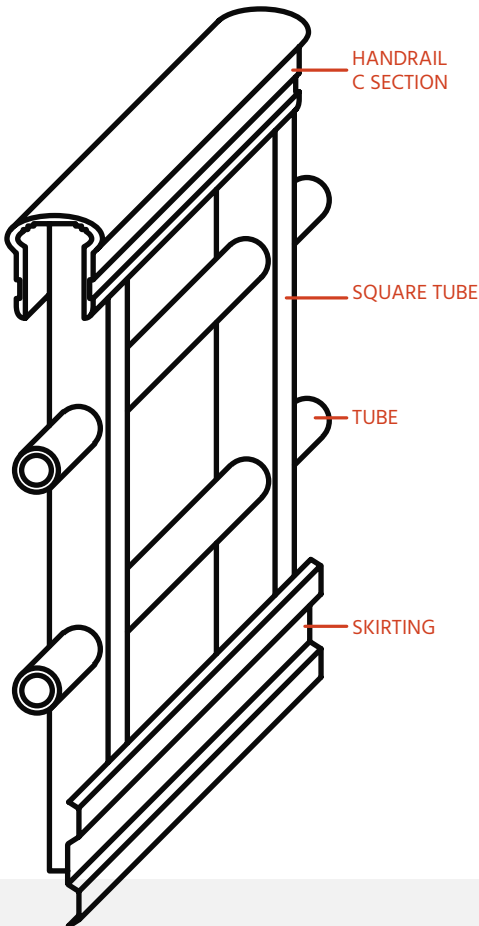
Dimensions available in stock (subject to prior sale)

**SPECIFICATIONS OF IN-STOCK PROFILES:**

LENGTH IN STOCK: 6.000 mm

COLOUR IN STOCK: GREY

MATRIX IN STOCK: STANDARD POLYESTER



# FENCING PROFILES

## TRIGLASS®

**TRIGLASS® FENCING** composite profiles, reinforced with fibreglass and/or carbon, represent one of the pultruded profiles made by Top Glass.

These fencing profiles are particularly suitable for **large areas** requiring **quick installation** and **no specific fastening** systems. They have the added advantage of **not needing any type of maintenance**.

Because of their **insulating properties**, they **protect against electric shocks**. The inherent **radio transparency** of fibreglass makes them uniquely adapted for use in airports and radio stations.

PROFILES FOR FENCING CONSTRUCTION	
TUBE	SQUARE TUBE
40 x 32,6	50 x 50 x 5 x 5
40 x 35	50 x 25 x 3 x 3
50 x 40	58 x 25 x 3 x 3
50 x 42	60 x 30 x 2,5 x 3
60 x 50	70 x 70 x 4 x 4
60 x 54	70 x 70 x 5 x 5
76 x 70	73 x 25 x 3 x 3,5

**Nominal dimension: mm**

**IN RED** colour: dimensions available **in stock** (subject to prior sale)

**IN GREY** colour: dimensions available **upon request** and produced with a variety of reinforcements, resins and colours and based on **minimum production quantities** that can differ depending on the profile

### SPECIFICATIONS OF IN-STOCK PROFILES:

LENGTH IN STOCK: 6.000 mm

COLOUR IN STOCK: WHITE (tube) GREY (square tube)

MATRIX IN STOCK: STANDARD POLYESTER

### NOTES:

- FOR ANY FURTHER TECHNICAL DETAILS REF. TO PRODUCT SHEETS NO. **8 E 9**

